



# IV Consumables for the NICU and PICU

## Product Catalog

Specialty infusion technology designed for your most delicate patients

**icumedical**  
human connections

# Help Keep Your Tiniest Patients Safe from Infection

When it comes to caring for your most precious patients, every detail matters. That's why we have developed a full line of IV therapy products designed to meet the special needs of your most delicate patients.



## Clave™ Connector Technology

Help minimize infection risks with manifolds and stopcocks that incorporate clinically preferred<sup>1</sup> Clave connector technology



## Specialized NICU/PICU IV Sets

Save time while helping reduce the risk of infection with closed IV medication sets for syringe pump delivery



## SuperCath™ 26G PIVC

Help deliver safe and effective care with the smallest gauge straight IV catheter, helping you access small, difficult vessels

Warning: Clave connectors may be incompatible with some male-luer connectors including prefilled glass syringes. To avoid damage to the Clave or syringes or male luers which may result in delays of medication administration and possible serious adverse events, users should confirm mating luers or syringes have an internal diameter range of 0.062" to 0.110". Check the internal diameter of the male-luer connector of the mating syringe prior to using it to access the Clave. Products outside of these dimensional tolerances should not be used.

<sup>1</sup> Global Healthcare Exchange (GHX) Market Intelligence data. Connectors, Needleless, Parenterals, [92-100]. 2017-2019. Includes stand-alone needlefree connectors and ancillary direct access devices (two-piece, hemodialysis, non-swabable, and non-patient contact connectors excluded).

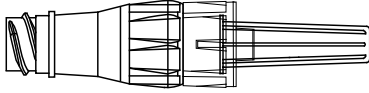


## Table of Contents

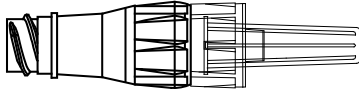
<a href="#">Needlefree Connectors</a> .....	5
<a href="#">Disinfection Caps</a> .....	6
<a href="#">Single Lumen Extension Sets</a> .....	7
<a href="#">Single Lumen Extension Sets – Filtered</a> .....	8
<a href="#">Single Lumen Extension Sets – T-Connector</a> .....	9
<a href="#">Single Lumen Extension Sets – High Pressure</a> .....	10
<a href="#">Multi-Lumen Extension Sets</a> .....	12
<a href="#">Medication Sets</a> .....	14
<a href="#">Medication Sets – Filtered</a> .....	16
<a href="#">Closed Medication Sets</a> .....	17
<a href="#">Stopcocks and Manifolds</a> .....	19
<a href="#">Stopcock and Manifold Extension Sets</a> .....	21
<a href="#">Administration Sets</a> .....	26
<a href="#">Blood Sets</a> .....	27
<a href="#">Blood Sets – Bifuse and Y-Type</a> .....	28
<a href="#">Burette Sets</a> .....	29
<a href="#">Peripheral IV Catheters</a> .....	30

## Needlefree Connectors

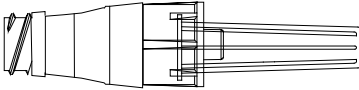
Catalog #	Description	PV	Case Qty
MC100	MicroClave™ Clear Neutral Connector	0.04	100



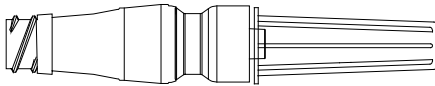
Catalog #	Description	PV	Case Qty
B3300	Clave™ Neutral Connector	0.04	100



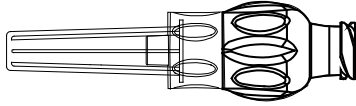
Catalog #	Description	PV	Case Qty
A1000	NanoClave™ Connector	0.02	100



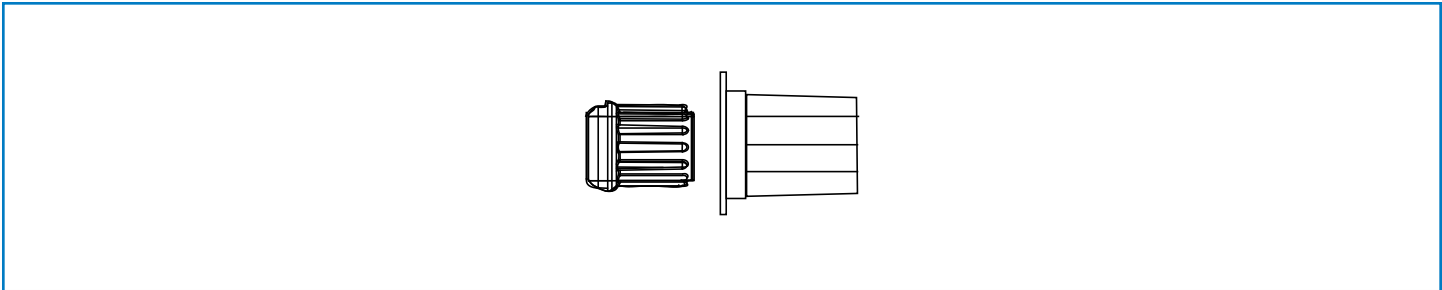
Catalog #	Description	PV	Case Qty
NC100	Neutron™	0.06	100



Catalog #	Description	PV	Case Qty
D1005	Tego Connector	0.06	100

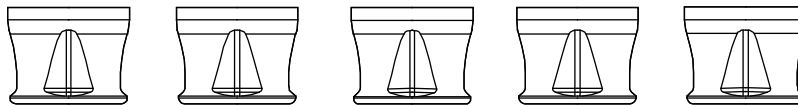


Disinfection Caps



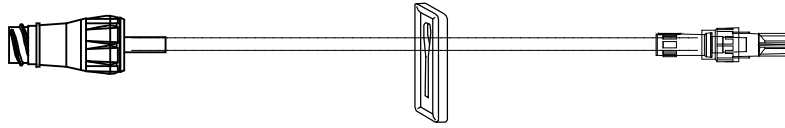
Catalog #	Description	Case Qty
SCXT3-2000	SwabCap™, 200-ct. Box	2,000
SCXT3-10-2000	SwabPack™, 10 Ct., Bag	2,000
SCXT3-2400	SwabPack™, 25-ct. Bag	2,400
SCRC3-10-1600	SwabPackPlus™	1,600
SCXT3-5-2000	SwabSleeve, 5 Ct., Sleeve	2,000

Catalog #	Description	Case Qty
SWTP-5	SwabTip, 5 Ct., Strip	200

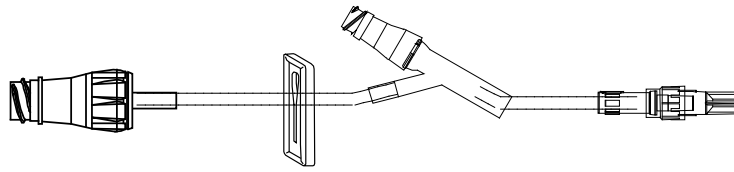


## Single Lumen Extension Sets

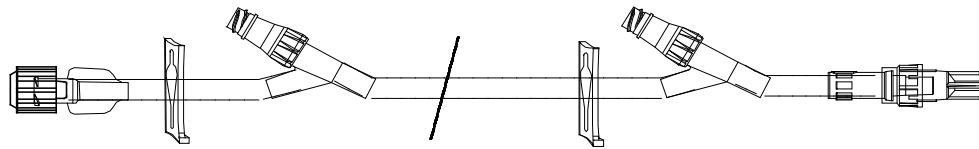
Catalog #	Description	Length	PV	Case Qty
MC3302	7" (18 cm) Appx 0.24 mL, Smallbore Ext Set w/MicroClave Clear, Clamp, Rotating Luer	7	0.24	50



Catalog #	Description	Length	PV	Case Qty
A1007	7" (18 cm) Smallbore Ext Set w/MicroClave™ Clear, NanoClave™, Clamp, Rotating Luer	7	0.29	50

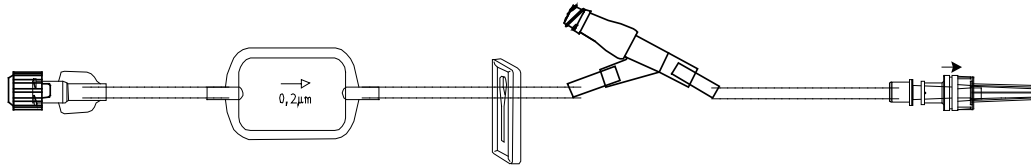


Catalog #	Description	Length	PV	Case Qty
MC33386	33" Ext Set w/2 Clave Clear, Rotating Luer	33	4.4	50

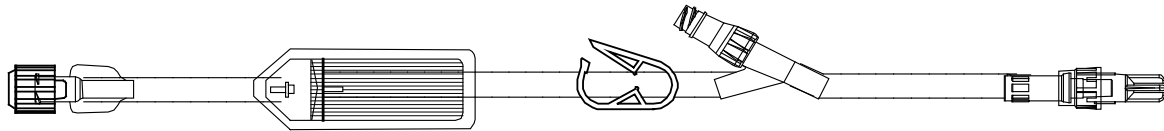


## Single Lumen Extension Sets — Filtered

Catalog #	Description	Length	PV	Case Qty
B90051	9" (23 cm) Smallbore Ext Set w/0.2 Micron Filter, Clave™, Clamp, Check Valve w/Luer Lock	9	0.87	50



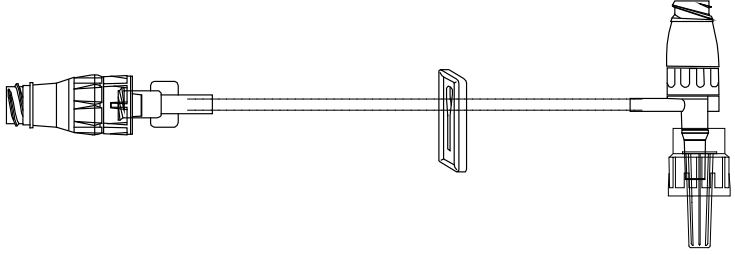
Catalog #	Description	Length	PV	Case Qty
MC9008	21" (53 cm) Ext Set w/1.2 Micron Filter, Clave™ Clear, Clamp, Rotating Luer, Non-DEHP Tubing	21	4.6	50



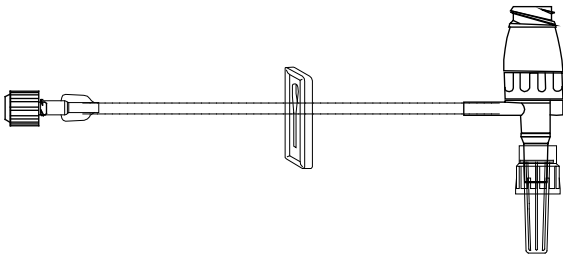


## Single Lumen Extension Sets — T-Connector

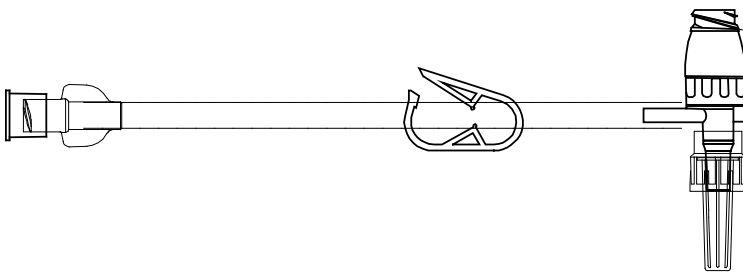
Catalog #	Description	Length	PV	Case Qty
A1009	7" (18 cm) Smallbore Ext Set w/Remv MicroClave™ Clear, NanoClave™ T-Connector, Clamp, Rotating Luer, Non-DEHP Tubing	7	0.31	50



Catalog #	Description	Length	PV	Case Qty
A1001	6" (15 cm) Smallbore Ext Set w/Clamp, NanoClave T-Connector, Rotating Luer	6	0.26	50

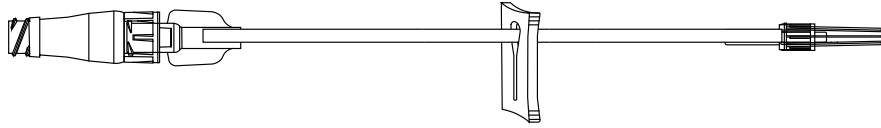


Catalog #	Description	Length	PV	Case Qty
A1004	5" Ext Set w/NanoClave™ T-Connector, Clamp, Rotating Luer	5	0.87	50

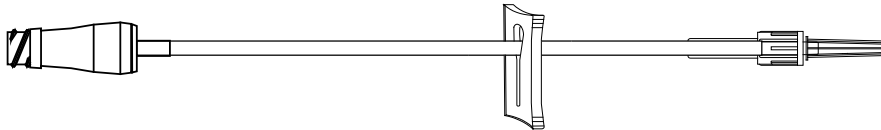


## Single Lumen Extension Sets — High Pressure

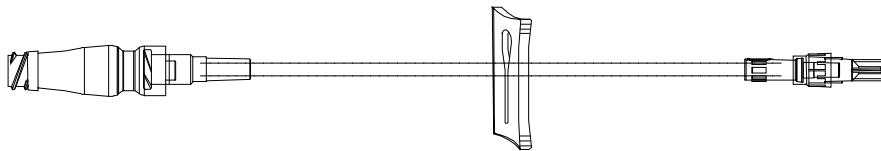
Catalog #	Description	Length	PV	Case Qty
B33038	7" (18 cm) Appx 0.28 mL, Smallbore Pressure Infusion (400 psig) Ext Set w/ Remv MicroClave™, Purple Slide Clamp, Luer Lock	7	0.28	50



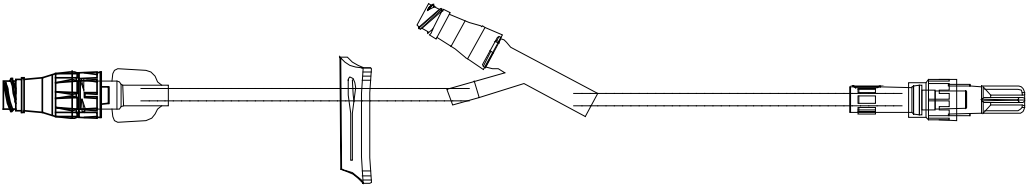
Catalog #	Description	Length	PV	Case Qty
B33086	7" (18 cm) Appx 0.21 mL, Smallbore Pressure Infusion (400 psig) Ext Set w/ MicroClave™, Purple Clamp, Luer Lock	7	0.21	50



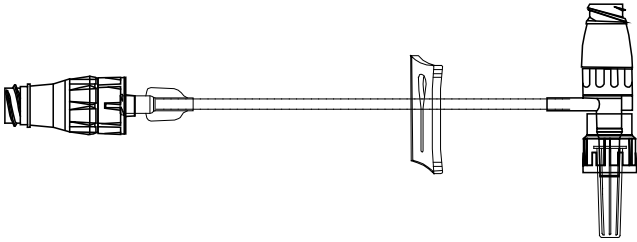
Catalog #	Description	Length	PV	Case Qty
NC101	7" (18 cm) Pressure Infusion (350 psig) Smallbore Ext Set w/Neutron™, Purple Clamp, Rotating Luer	7	0.28	50



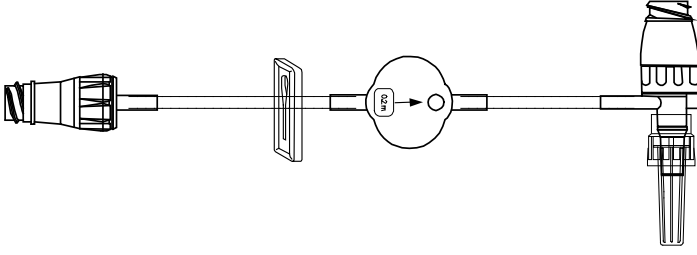
Catalog #	Description	Length	PV	Case Qty
A1201	6.5" (17 cm) Appx 0.35 mL, Smallbore Pressure Infusion (400 psig) Ext Set w/Rmv MicroClave™ Clear, NanoClave™, Purple Clamp, Rotating Luer	6.5	0.35	50



Catalog #	Description	Length	PV	Case Qty
A1099	6.5" (16.5 cm) Appx 0.31 mL, Smallbore Pressure Infusion (400 psig) Ext Set w/Rmv MicroClave™ Clear, NanoClave™ T-Connector, Purple Clamp, Rotating Luer	6.5	0.31	50

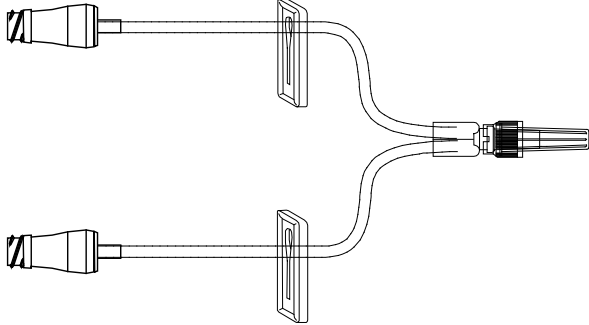


Catalog #	Description	Length	PV	Case Qty
A1159	8" (20 cm) Appx 0.53 mL, Smallbore Ext Set w/MicroClave™ Clear, 0.2 Micron Filter, NanoClave™ T-Connector, Clamp, Rotating Luer	8	0.53	50

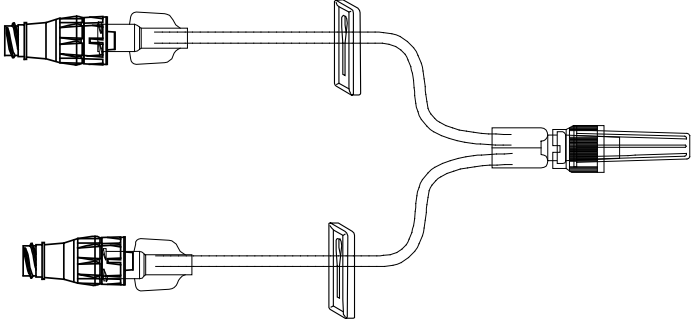


## Multi-Lumen Extension Sets

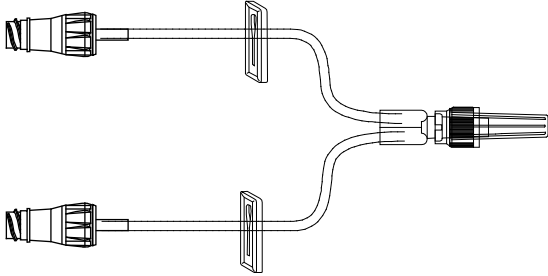
Catalog #	Description	Length	PV	Case Qty
B33868	3" (8 cm) Appx 0.22 mL, Smallbore Bifuse Ext Set w/2 MicroClave™, 2 Clamps (Blue), Rotating Luer	2	0.22	50



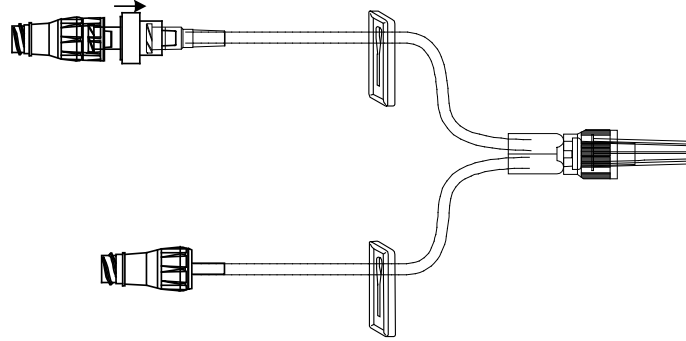
Catalog #	Description	Length	PV	Case Qty
MC33119	4" (10 cm) Smallbore Bifuse Ext Set w/2 Remv MicroClave™ Clear, 2 Clamps, Rotating Luer, Non-DEHP Tubing	4	0.36	50



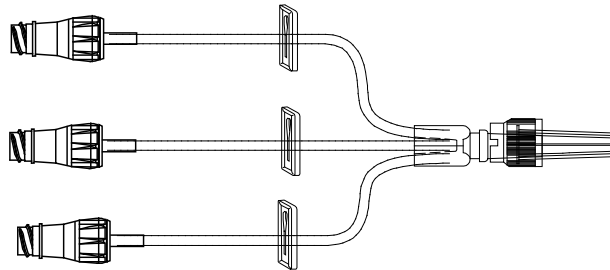
Catalog #	Description	Length	PV	Case Qty
MC33315	5" (13cm) Smallbore Bifuse Ext Set w/2 MicroClave™ Clear, 2 Clamps, Rotating Luer	5	.03	50



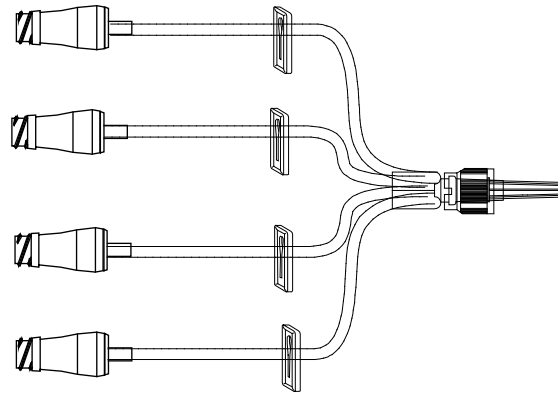
Catalog #	Description	Length	PV	Case Qty
MC33682	6" (15 cm) Appx 0.46 mL, Smallbore Bifuse Ext Set w/2 MicroClave™ Clear, Check Valve, 2 Clamps (Blue), Rotating Luer	6	0.46	50



Catalog #	Description	Length	PV	Case Qty
MC33098	4" (10 cm) Smallbore Trifuse Ext Set w/3 MicroClave™ Clear, 3 Clamps, Rotating Luer	4	0.4	50

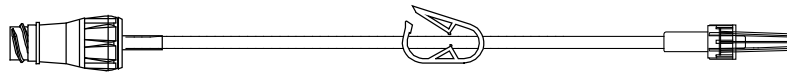


Catalog #	Description	Length	PV	Case Qty
B33294	4" (10 cm) Smallbore Quadfuse Ext Set w/4 MicroClave™, 4 Clamps, Rotating Luer	4	0.52	50

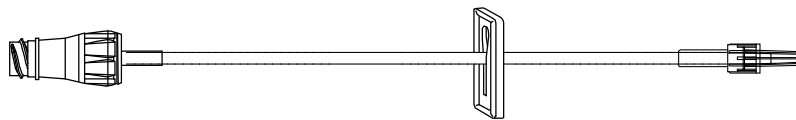


Medication Sets

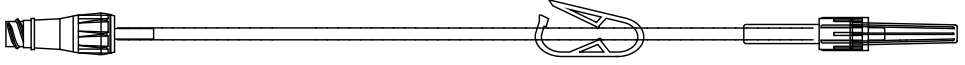
Catalog #	Description	Length	PV	Case Qty
MC33352	60" (152 cm) Smallbore Ext Set w/MicroClave™ Clear, Clamp, Luer Lock	60	0.36	50



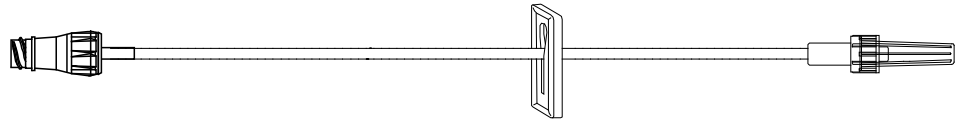
Catalog #	Description	Length	PV	Case Qty
MC33383	60" (152 cm) Smallbore Ext Set w/MicroClave™ Clear, Clamp, Luer Lock	60	0.54	50



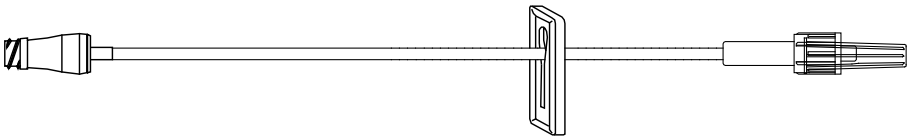
Catalog #	Description	Length	PV	Case Qty
MC330425	60" (152 cm) Appx 1.0 mL, Smallbore Ext Set w/MicroClave™ Clear, Clamp (Blue), Luer Lock	60	1.0	50



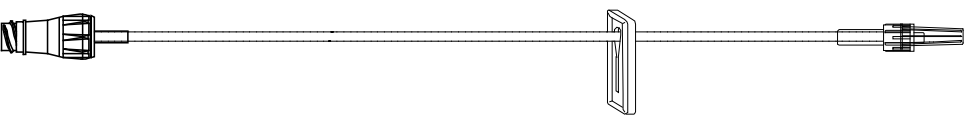
Catalog #	Description	Length	PV	Case Qty
MC33932	60" (152 cm) Appx 1.0 mL, Smallbore Ext Set w/MicroClave™ Clear, Clamp, Luer Lock	60	1	50



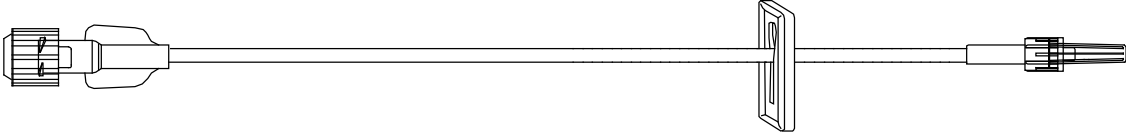
Catalog #	Description	Length	PV	Case Qty
B33711	61" (155 cm) Appx 1.0 mL, Smallbore Ext Set w/MicroClave™, Clamp, Luer Lock	61	1	50



Catalog #	Description	Length	PV	Case Qty
MC33514	60" (152 cm) Smallbore Ext Set w/MicroClave™ Clear, Clamp (Blue), Luer Lock	60	1.7	50

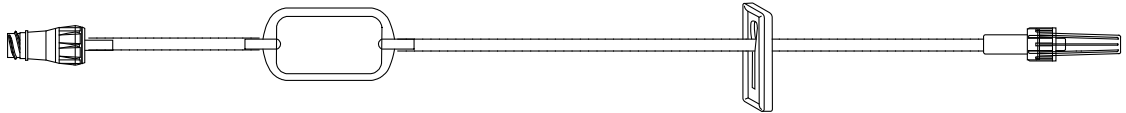


Catalog #	Description	Length	PV	Case Qty
B2154	360" (914 cm) Smallbore Ext Set w/Clamp, Luer Lock	360	10.1	50

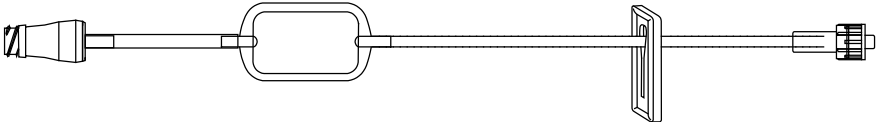


### Medication Sets — Filtered

Catalog #	Description	Length	PV	Case Qty
MC330472	60" (152 cm) Appx 1.4 mL, PUR Yellow Smallbore Ext Set w/MicroClave™ Clear, 1.2 Micron Filter, Clamp, Luer Lock	60	1.4	50

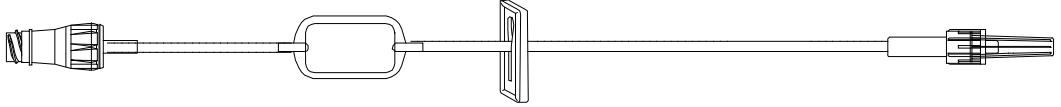


Catalog #	Description	Length	PV	Case Qty
MC330174	60" (152 cm) Appx 1.9 mL, Smallbore Ext Set w/MicroClave™ Clear, 1.2 Micron Filter, 2 Clamps, Luer Lock	60	1.9	50



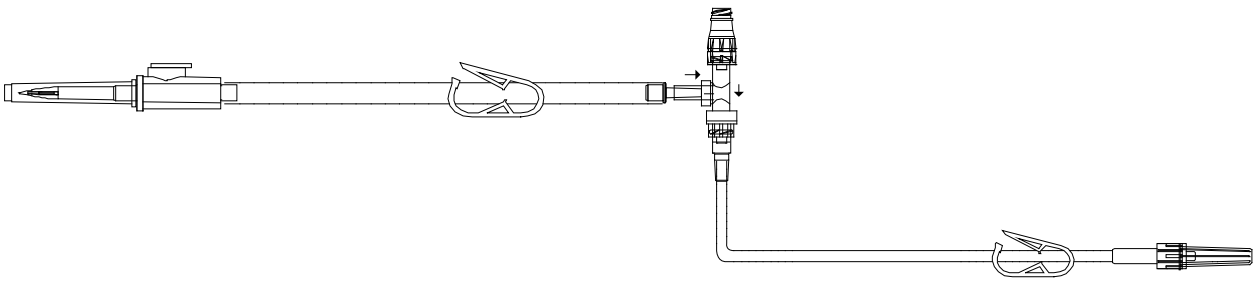


Catalog #	Description	Length	PV	Case Qty
MC330077	60" (152 cm) Appx 1.9 mL, Smallbore Ext Set w/MicroClave™ Clear, 0.2 Micron Filter, Clamp, Luer Lock	60	1.9	50

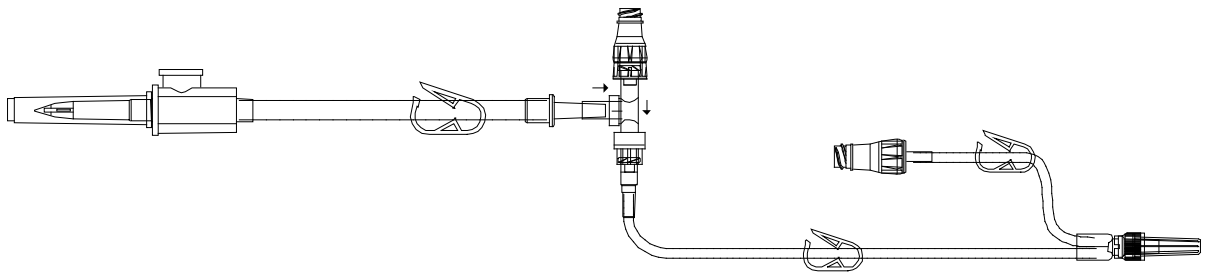


### Closed Medication Sets

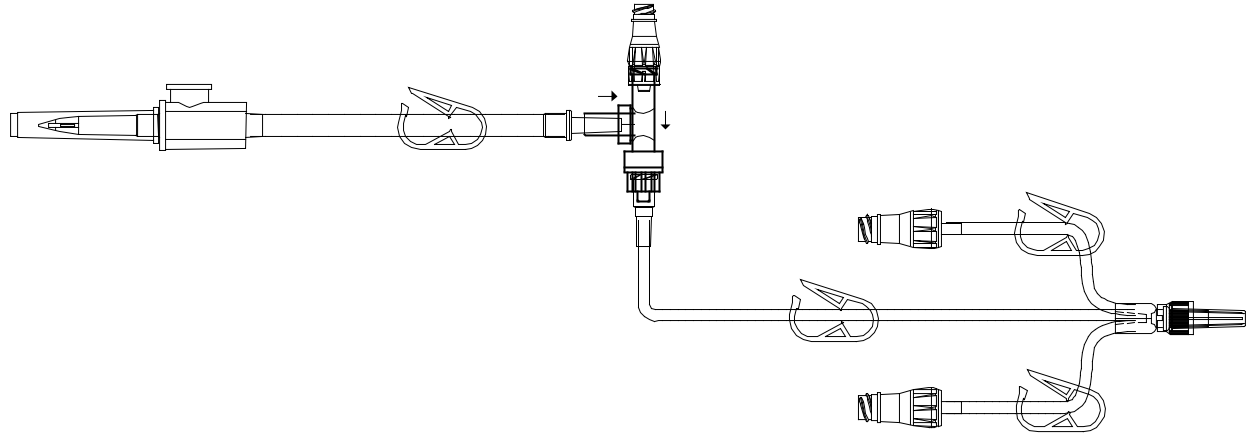
Catalog #	Description	Length	PV	Case Qty
B33895	107" (272 cm) Transfer Set w/Dual Check Valve, MicroClave™, Luer Lock	107	8.7	50



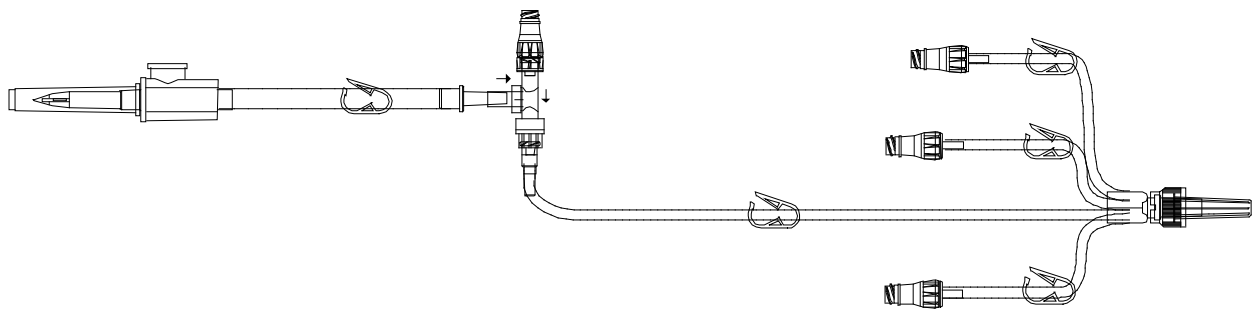
Catalog #	Description	Length	PV	Case Qty
MC330082	109" (277 cm) Transfer Set w/2 MicroClave™ Clear, Dual Check Valve, 3 Clamps (Red, White, Blue), Rotating Luer	109	7.4	50



Catalog #	Description	Length	PV	Case Qty
B33065	104" (264 cm) Appx 7.1 mL, Transfer Set w/Clave™, Dual Check Valve, Smallbore Trifuse Ext Set w/2 Clave™, Rotating Luer	104	7.1	50

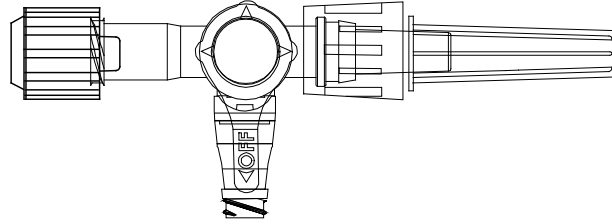


Catalog #	Description	Length	PV	Case Qty
MC330442	111" (282 cm) Transfer Set w/MicroClave™ Clear, Dual Check Valve, Smallbore Quadfuse Ext Set w/3 MicroClave™ Clear, 5 Clamps (2 Red, Blue, 2 White), Rotating Luer, Non-DEHP Tubing	111	7.7	50

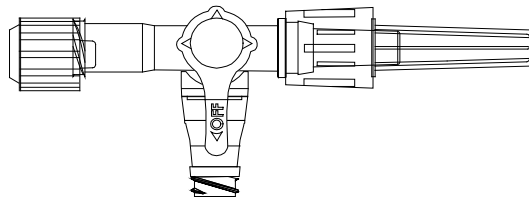


## Stopcocks and Manifolds

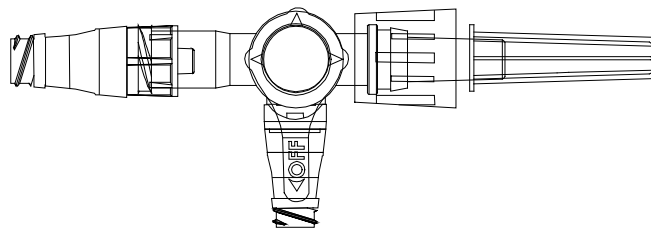
Catalog #	Description	Length	PV	Case Qty
AC100	NanoClave™ Stopcock	1.9	0.28	50



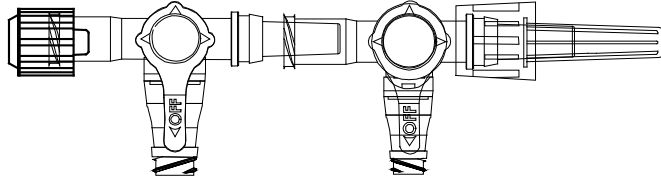
Catalog #	Description	Length	PV	Case Qty
SC100	Clave™ Stopcock	1.37	0.27	50



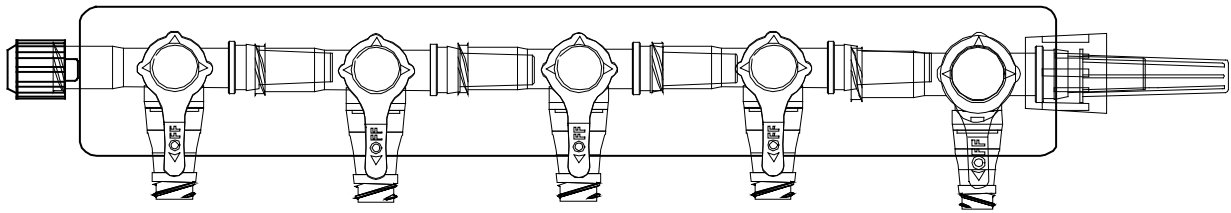
Catalog #	Description	Length	PV	Case Qty
AC104	NanoClave™ Stopcock w/NanoClave™	2.22	0.3	50



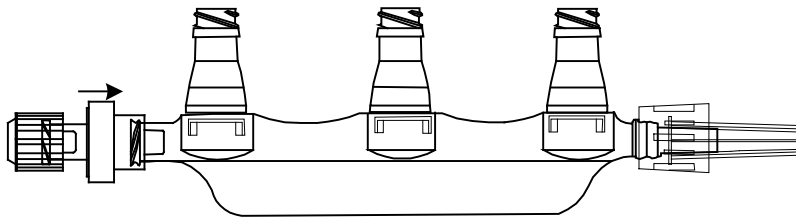
Catalog #	Description	Length	PV	Case Qty
AC200	2 Gang 4-Way NanoClave™ Stopcock Manifold w/Rotating Luer	3.81	0.55	50



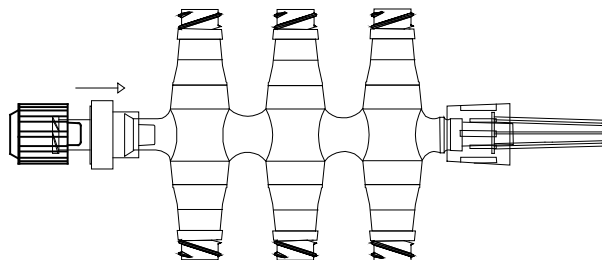
Catalog #	Description	Length	PV	Case Qty
AC205	5 Gang 4-Way NanoClave Stopcock w/Baseplate, Rotating Luer	7	1.4	50



Catalog #	Description	Length	PV	Case Qty
AM3016	3-Port NanoClave™ Manifold w/Check Valve, Rotating Luer	4	0.88	50

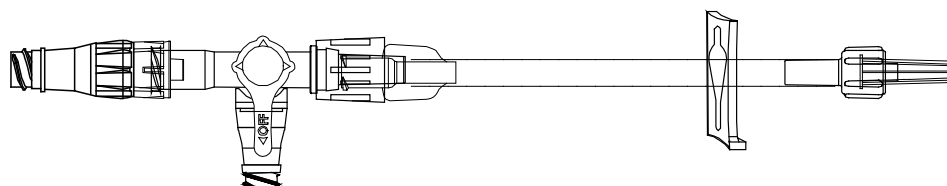


Catalog #	Description	Length	PV	Case Qty
AM6099	6-Port NanoClave™ Manifold, Check Valve, Rotating Luer	3.1	0.75	50

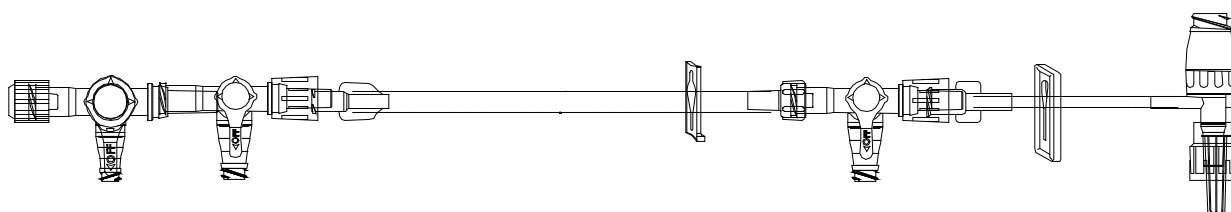


### Stopcock and Manifold Extension Sets

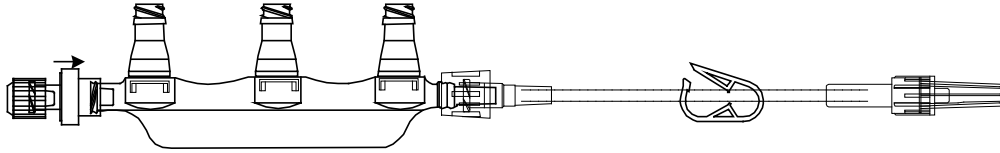
Catalog #	Description	Length	PV	Case Qty
SC104	10" Ext Set w/Remv 4-Way Clave™ Stopcock w/Clave™, Clamp, Luer Lock	10	1.03	50



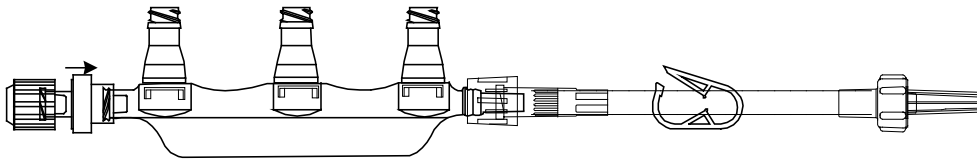
Catalog #	Description	Length	PV	Case Qty
SC124	30" (76 cm) Appx 3.6 mL, Ext Set w/Remv 2 Gang Clave™ Stopcock, Remv Clave™ Stopcock, NanoClave™ T-Connector, Rotating Luer, 1 Ext	29.314	3.63	50



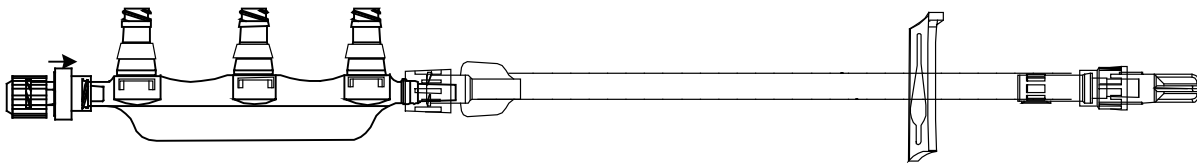
Catalog #	Description	Length	PV	Case Qty
AM3007	10" (25 cm) Smallbore Ext Set w/3-Port NanoClave Manifold, Check Valve, Clamp, Luer Lock	10	1.2	50



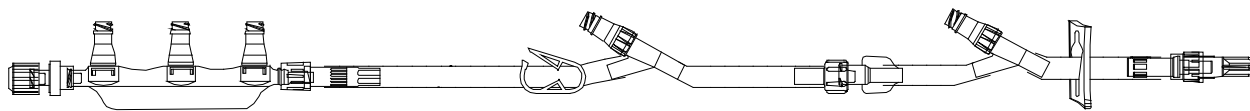
Catalog #	Description	Length	PV	Case Qty
AM3090	10" (25 cm) Ext Set w/3-Port NanoClave™ Manifold, Check Valve, Clamp, Luer Lock	10	1.52	50



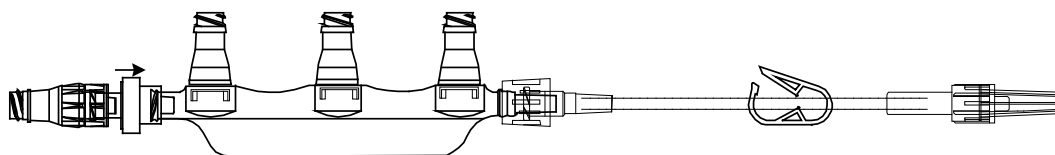
Catalog #	Description	Length	PV	Case Qty
AM3129	45" (114 cm) Appx 6.2 mL, Ext Set w/Remv 3-Port NanoClave Manifold (Red, Yellow, Blue Rings) w/Check Valve, Clamp, Spin Luer	45	6.2	25



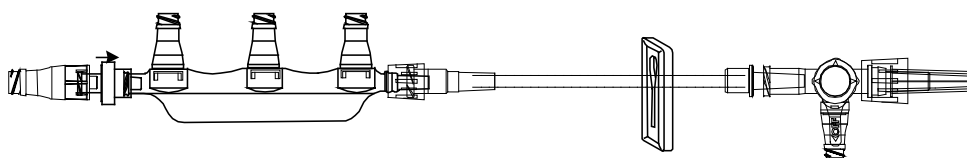
Catalog #	Description	Length	PV	Case Qty
AM3105	47" (119 cm) Appx 6.6 mL, Ext Set w/3-Port NanoClave Manifold, 2 MicroClave Clear, Check Valve, 2 Clamps, Rotating Luer	47	6.6	50



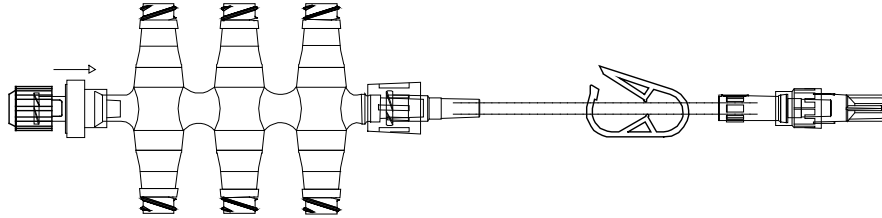
Catalog #	Description	Length	PV	Case Qty
AM3127	11" (28 cm) Appx 1.1 mL, Smallbore Ext Set w/3-Port NanoClave Manifold, Check Valve, Clave Clear, Clamp, Luer Lock	11	1.1	50



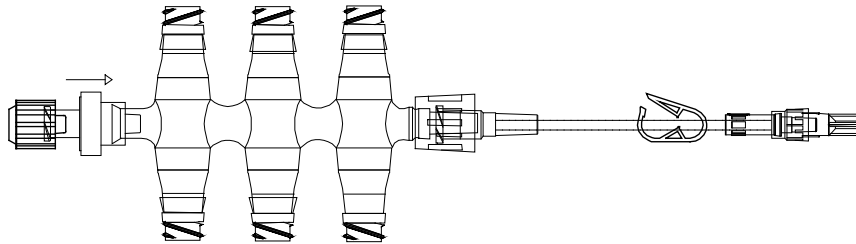
Catalog #	Description	Length	PV	Case Qty
AM3113	9" (23 cm) Smallbore Ext Set w/NanoClave, 3-Port NanoClave Manifold, NanoClave 4-Way Stopcock, Check Valve, Clamp, Rotating Luer	9	1.5	50



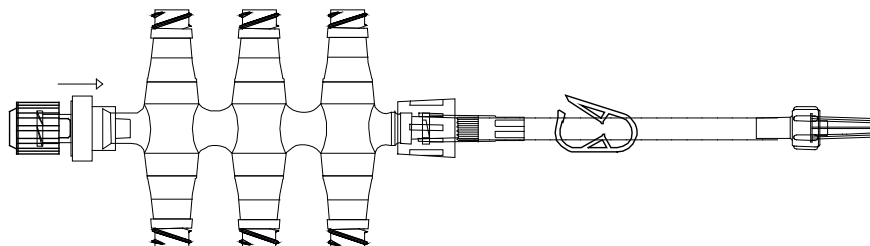
Catalog #	Description	Length	PV	Case Qty
AM6109	10" (25 cm) Smallbore Ext Set w/6-Port NanoClave™ Manifold, Check Valve, Clamp, Rotating Luer	10	0.95	50



Catalog #	Description	Length	PV	Case Qty
AM6100	10" (25 cm) Smallbore Ext Set w/6-Port NanoClave™ Manifold (Orange, Red, Blue, Purple, Yellow Rings), Check Valve, Clamp, Rotating Luer	10	1	50

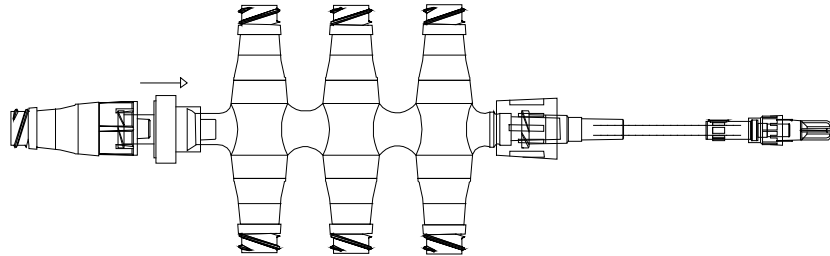


Catalog #	Description	Length	PV	Case Qty
AM6090	10" Ext Set w/6-Port NanoClave™ Manifold, Check Valve, Clamp, Luer Lock	10	1.5	50

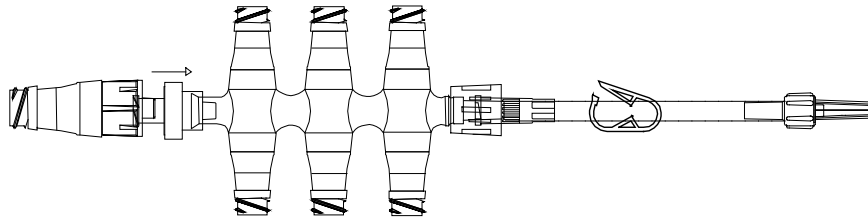




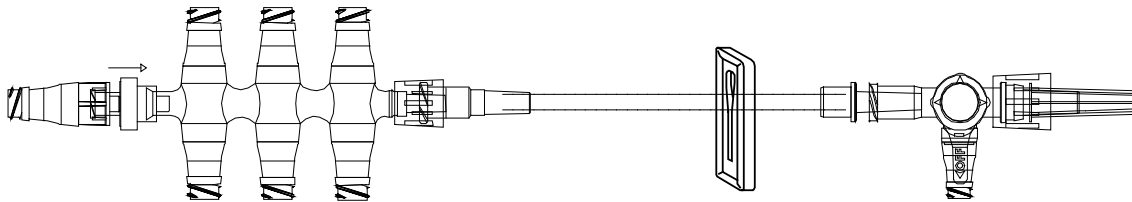
Catalog #	Description	Length	PV	Case Qty
AM6111	7" (18 cm) PUR Smallbore Ext Set, NanoClave™ w/6-Port NanoClave™ Manifold, Check Valve, Rotating Luer	7	0.92	50



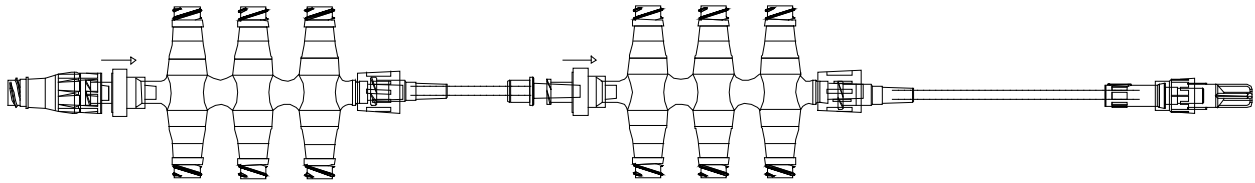
Catalog #	Description	Length	PV	Case Qty
AM6143	11" (28 cm) Ext Set w/6-Port NanoClave Manifold, Check Valve, NanoClave, Clamp, Luer Lock	11	1.5	50



Catalog #	Description	Length	PV	Case Qty
AM6140	8" (20 cm) Smallbore Ext Set w/NanoClave, 6-Port NanoClave Manifold, NanoClave 4-Way Stopcock, Check Valve, Clamp, Rotating Luer	8	1.2	50

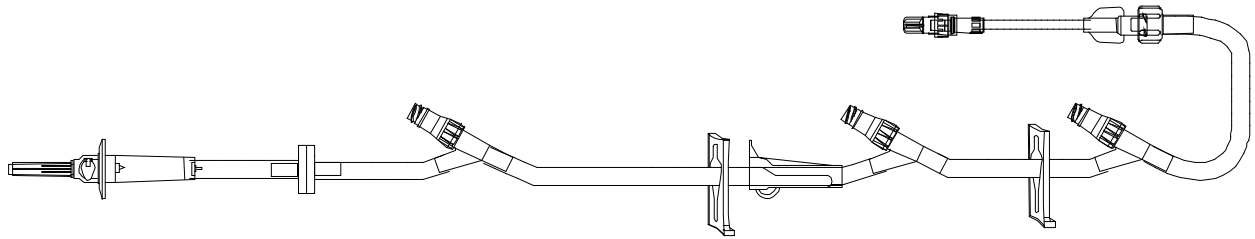


Catalog #	Description	Length	PV	Case Qty
AM6152	20" (51 cm) Appx 1.9 mL, Ext Set, Smallbore w/Clave Clear, 2 6-Port NanoClave Manifolds, 2 Check Valves, Spin Luer	20	1.9	25

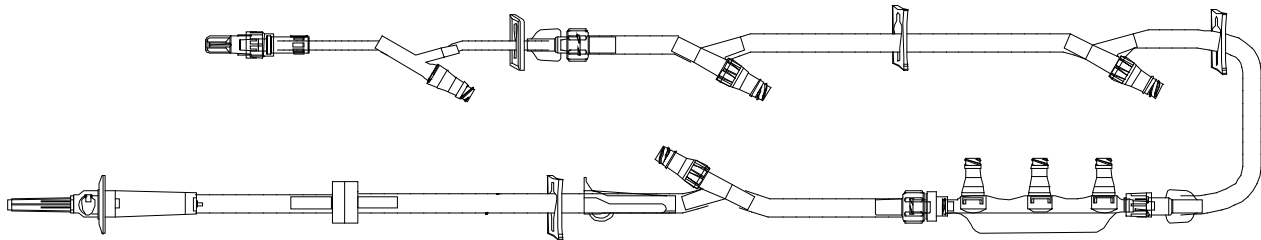


Administration Sets

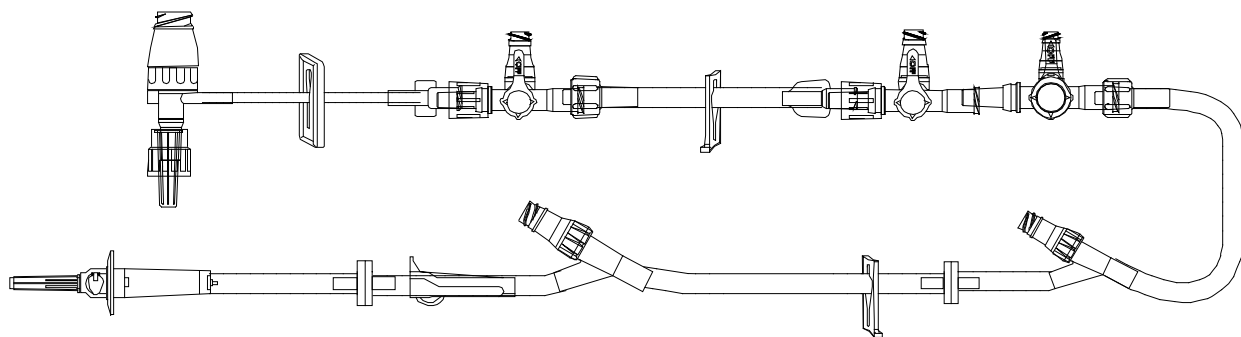
Catalog #	Description	Length	PV	Case Qty
B99133	110" 60 Drop Primary Set w/3 Clave™, Rotating Luer, 1 Smallbore Ext	110	13.58	25



Catalog #	Description	Length	PV	Case Qty
AM3027	114" (290 cm) 15 Drop Primary Set w/3 MicroClave™ Clear, Remv 3-Port NanoClave™ Manifold w/Check Valve, NanoClave™, Rotating Luer, 2 Exts	114	14.4	25

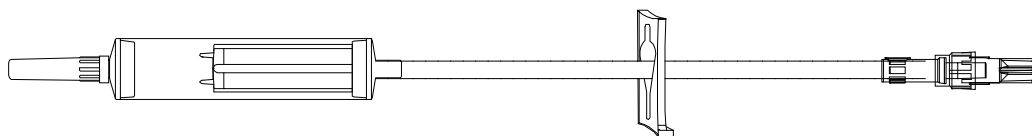


Catalog #	Description	Length	PV	Case Qty
SC125	120" 10 Drop Primary Set w/2 Clave™, Remv 2 Gang Clave™ Stopcock, Remv Clave™ Stopcock, NanoClave™ T-Connector, Rotating Luer, 2 Check Valves, 2 Ext	120	15.39	25

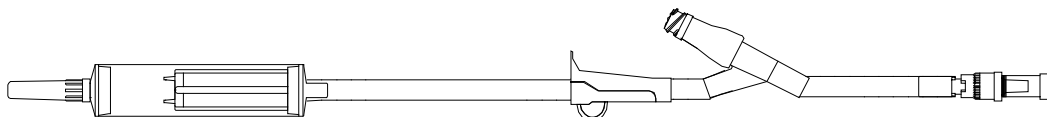


## Blood Sets

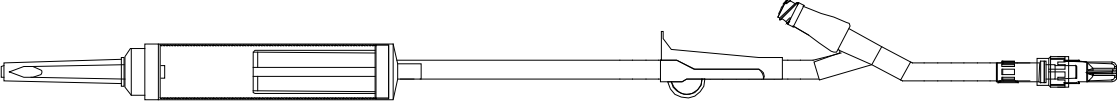
Catalog #	Description	Length	PV	Case Qty
B31753	27" 10 Drop Blood Set w/170 Micron Filter, Rotating Luer	27	3.6	25



Catalog #	Description	Length	PV	Case Qty
B9397	80" (203 cm) 10 Drop Blood Set w/170 Micron Filter, Clave™, Rotating Luer w/Filter Cap	80	13.93	25

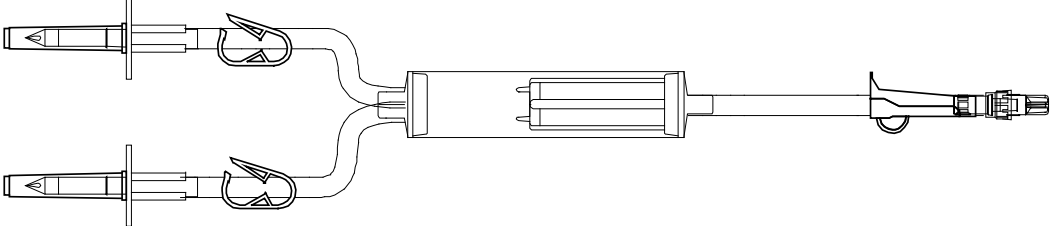


Catalog #	Description	Length	PV	Case Qty
B9698	78" (198 cm) 20 Drop Blood Set w/200 Micron Filter, Clave™, Rotating Luer	78	13.9	25

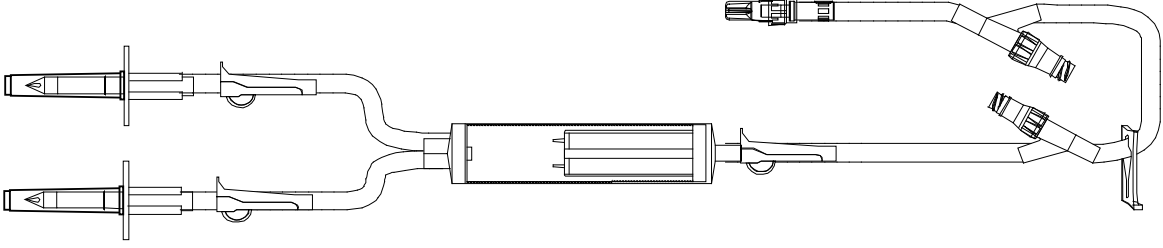


Blood Sets — Bifuse and Y-Type

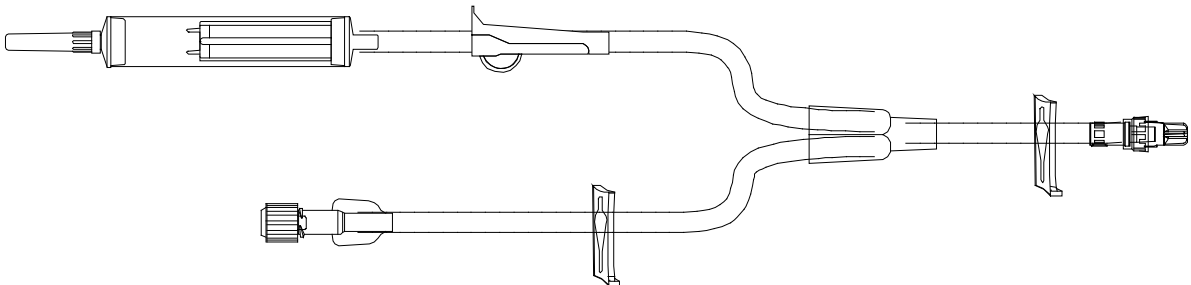
Catalog #	Description	Length	PV	Case Qty
B30061	82" (208 cm) Y-Type 10 Drop Blood Set w/170 Micron Filter, Rotating Luer	82	16.4	25



Catalog #	Description	Length	PV	Case Qty
MC9011	99" (251 cm) 20 Drop Y-Type Blood Set w/200 Micron Filter, 2 Clave™ Clear, Rotating Luer	99	20.32	25

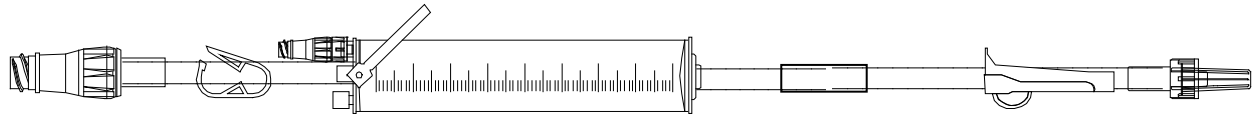


Catalog #	Description	Length	PV	Case Qty
B30213	21" Bifuse 10 Drop Blood Set w/170 Micron Filter, Rotating Luer	21	4.48	25

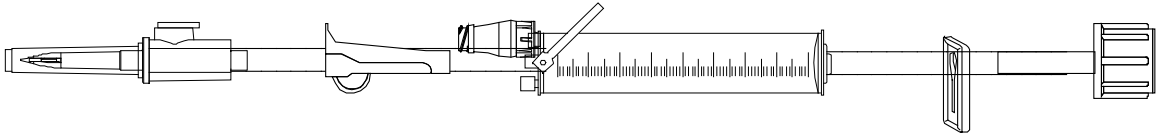


## Burette Sets

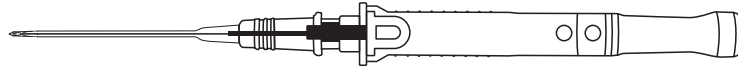
Catalog #	Description	Length	PV	Case Qty
B33359	23" (58 cm) 150 mL Burette Set (Clave™, Shut Off) w/Clave™, Luer Lock	23	3.4	25



Catalog #	Description	Length	PV	Case Qty
B9236	23" (58 cm) Add On 150 mL Burette Set (No Shut-Off Valve), MicroClave™, Clamp	23	4	25



## Peripheral IV Catheters



Item	Description	Gauge	Length (in)	Material	Winged
SP22501	SuperCath 26G X 0.56 in Active Straight	26	0.56	PUR	N
SP22001	SuperCath 26G X 0.75 in Active Straight	26	0.75	PUR	N
SP22301	SuperCath 24G X 0.56 in Active Straight	24	0.56	PUR	N
SP22401	SuperCath 24G X 0.56 in Active Straight Winged	24	0.56	PUR	Y
SP22101	SuperCath 24G X 0.75 in Active Straight	24	0.75	PUR	N
SP22201	SuperCath 24G X 0.75 in Active Straight Winged	24	0.75	PUR	Y
SP20801	SuperCath 24G X 0.75 in Active Straight Blood Containment	24	0.75	PUR	N
SP20901	SuperCath 24G X 0.75 in Active Straight Blood Containment Winged	24	0.75	PUR	Y
SP20001	SuperCath 22G X 1.00 in Active Straight Blood Containment	22	1	PUR	N
SP20101	SuperCath 22G X 1.00 in Active Straight Blood Containment Winged	22	1	PUR	Y
SP20201	SuperCath 22G X 1.25 in Active Straight Blood Containment	22	1.25	PUR	N
SP20301	SuperCath 22G X 1.25 in Active Straight Blood Containment Winged	22	1.25	PUR	Y
SP22701	SuperCath 20G X 1.00 in Active Straight Blood Containment	20	1	PUR	N
SP22801	SuperCath 20G X 1.00 in Active Straight Blood Containment Winged	20	1	PUR	Y
SP20601	SuperCath 20G X 1.25 in Active Straight Blood Containment	20	1.25	PUR	N
SP20701	SuperCath 20G X 1.25 in Active Straight Blood Containment Winged	20	1.25	PUR	Y
SP21601	SuperCath 20G X 2.00 in Active Straight Blood Containment	20	2	PUR	N
SP21701	SuperCath 20G X 2.00 in Active Straight Blood Containment Winged	20	2	PUR	Y

Item	Description	Gauge	Length (in)	Material	Winged
SP20401	SuperCath 18G X 1.25 in Active Straight Blood Containment	18	1.25	PUR	N
SP20501	SuperCath 18G X 1.25 in Active Straight Blood Containment Winged	18	1.25	PUR	Y
SP21401	SuperCath 18G X 2.00 in Active Straight Blood Containment	18	2	PUR	N
SP21501	SuperCath 18G X 2.00 in Active Straight Blood Containment Winged	18	2	PUR	Y
SP21801	SuperCath 16G X 1.25 in Active Straight Blood Containment	16	1.25	PUR	N
SP21901	SuperCath 16G X 1.25 in Active Straight Blood Containment Winged	16	1.25	PUR	Y
SP21001	SuperCath 16G X 1.25 in Active Straight	16	1.25	PUR	N
SP21101	SuperCath 16G X 1.25 in Active Straight Winged	16	1.25	PUR	Y
SP21201	SuperCath 14G X 1.25 in Active Straight	14	1.25	PUR	N
SP21301	SuperCath 14G X 1.25 in Active Straight Winged	14	1.25	PUR	Y

