

CLC2000[®]

CATHETER PATENCY DEVICE

Reduce Fibrin Formation in the Catheter



Positive Displacement

- The CLC2000 generates an automatic positive displacement flush upon disconnection of the syringe.
- The CLC2000 is *GUARANTEED* to prevent blood reflux into the catheter lumen which can otherwise lead to thrombotic occlusion.



Microbiological Barrier

- CLC2000 is a microbiological barrier which will prevent the ingress of micro-organisms if disinfected according to protocol.
- Fibrin formation is a known host to catheter related bloodstream infection - the CLC2000 is proven to reduce fibrin formation.



Saline Flush

- The CLC2000 is indicated for use with a saline flush which offers clinical and economic benefits.
- Saline flush may be used with the CLC2000 on any vascular access device including implantable ports.



ICU Medical, Inc.

951 Calle Amanecer, San Clemente, CA 92673, U.S.A.

Tel: +1 949 366 2183 • Fax: +1 949 366 8368 www.icumed.com

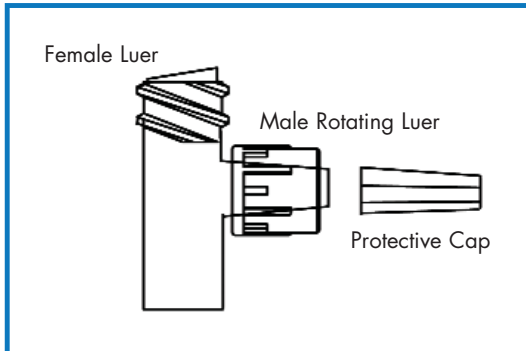
Guaranteed Performance

CLC2000®

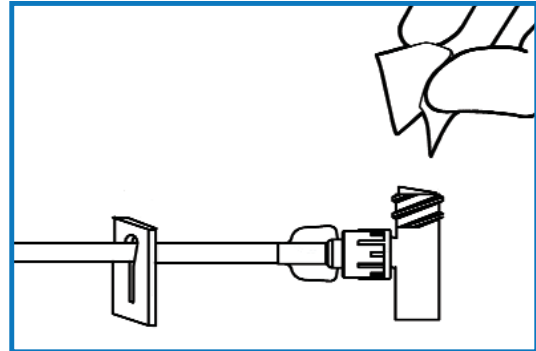
For Central, Peripheral and Arterial Vascular Access Devices.

- *One piece swab-able connector*
- *Ultra high flow rates*
- *Low residual volume (dead-space)*
- *Needlefree Design*
- *Lipid and blood compatible*
- *Latex Free*

Directions for Use



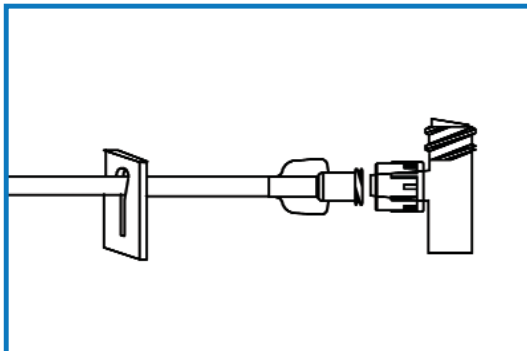
- 1) Using aseptic technique remove CLC2000 from package. Remove protective cap. Do not contaminate.
- 2) Attach a syringe or administration set to female luer and prime CLC2000 in accordance with facility protocol. Invert device to expel air.
- 3) Attach vascular access device by pushing and twisting luer slip connector into the female luer until tight. Continue to twist the CLC2000 Connector clockwise to most comfortable position on patient's skin. Do not loosen. Then, twist rotating luer collar until tight.



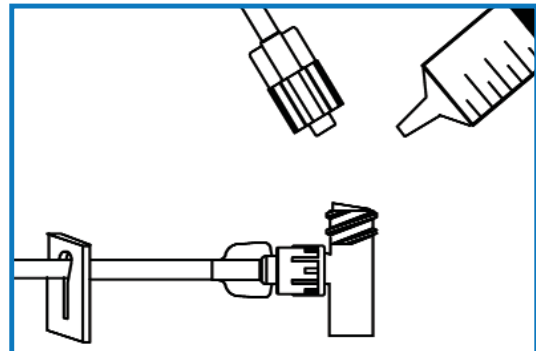
- 5) Attach a fully primed syringe or administration set to CLC2000. Push and twist male luer of device into CLC2000 until tight.

NOTE: If using a rotating luer device, first push and twist luer slip into CLC2000 until tight, then lock down the spin collar. This will ensure a secure connection and optimal flow rates.

- 6) To disconnect from CLC2000, grasp CLC2000 and twist syringe or administration set away from CLC2000 until loose.
- 7) Flush CLC2000 after each use with normal saline, or in accordance with facility protocol.



- 4) To access CLC2000, swab female luer with desired disinfectant in accordance with facility protocol.



- 8) For subsequent connections repeat from step four (4).

CAUTIONS: • **DO NOT CLAMP** catheter or extension set while disconnecting syringe or administration set from CLC2000, as this will interrupt the positive displacement • Do not cap CLC2000. Device is closed • Do not use needles to access • Federal (USA) law restricts this device to sale by or on the order of a physician • It is recommended this device be changed per CDC guidelines or per validated facility protocol.